

**LectraHeat - Ceramic Band Heater**

ID \_\_\_\_\_  
 Width \_\_\_\_\_  
 Watts \_\_\_\_\_ (Per Section)  
 Volts \_\_\_\_\_ (Per Section)

- 3 Phase
- Dual Voltage
- Dual Circuit - Specify W/V per circuit:  
 \_\_\_\_\_

**Construction**

- One-Piece
- Two-Piece
- Other:  
 \_\_\_\_\_

- Partial Coverage - Specify Outside Circumference:  
 \_\_\_\_\_

**Clamping**

- Flange
- Built in Strap (Welded Barrel Nuts)
- Latch and Trunnion
- None
  
- Standard #10-24 Screws
- Heavy Duty 1/4-20 Screws
- Spring Loaded

Gap size (if required): \_\_\_\_\_

**Notes:**

**Termination**

- Lead Wire - Specify Length: \_\_\_\_\_
- Fiberglass Leads
  - Fiberglass leads with SS Overbraid
  - Fiberglass leads with SS Armor
  - Fiberglass leads with Ex-flex Sleeve
  - Fiberglass leads with Silicone Sleeve
  - Grounded

**Post Terminals - 1/4-20 thread**

- Style I
- Style H
- Ceramic Terminal Covers
- Terminal Box (3" x 1.5" x 1.5" Standard)  
 Custom: \_\_\_\_\_
- Ground Post

**Misc:**

- Euro Plug with Housing (Straight)
- Euro Plug - Other: \_\_\_\_\_
- Hubbell Plug - P/N: \_\_\_\_\_

**Holes, Cutouts, and Notches**

Specify Size and Location  
 Drawing or Sample may be required.

\_\_\_\_\_

\_\_\_\_\_

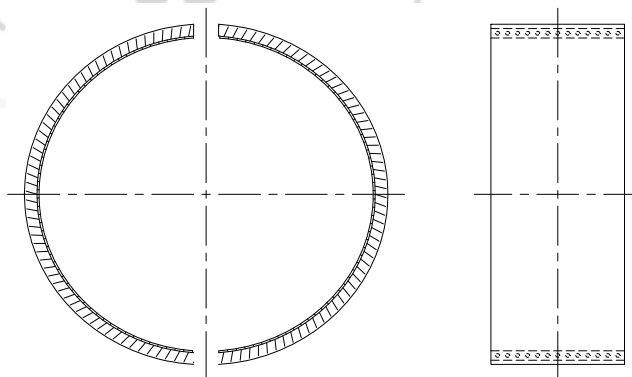
\_\_\_\_\_

\_\_\_\_\_

\_\_\_\_\_

\_\_\_\_\_

Name \_\_\_\_\_  
 Company \_\_\_\_\_  
 Address \_\_\_\_\_  
 \_\_\_\_\_  
 Phone \_\_\_\_\_  
 Fax \_\_\_\_\_  
 Email \_\_\_\_\_



Please complete and send scanned requests to  
 LHsales@lectraheat.com or fax to (513) 934-2233